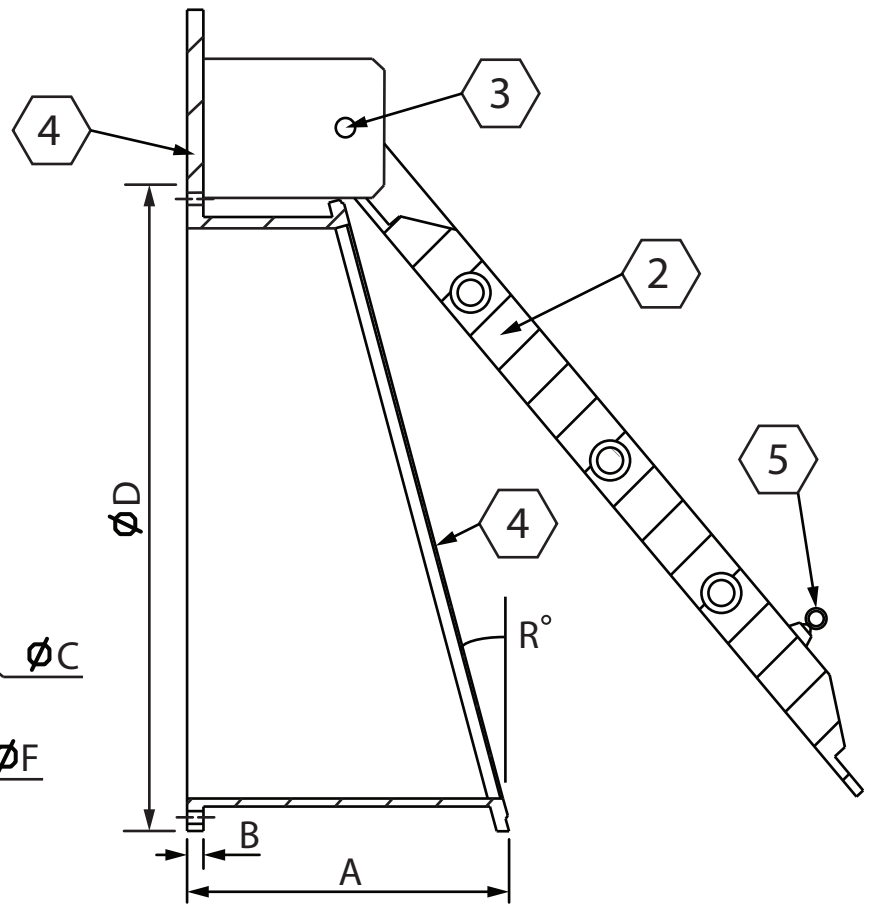


DO NOT SCALE DRAWING



NPS	A	B	ϕC	ϕD	E - ϕF	R°
78"	17.92	1.18	89.0	93.0	64 - 1.00	**10°

** Tilt angles ranging from 5° to 15° available upon request. For open air applications 5 tilt angle is standard for minimized cost, space and pressure head. For fully submerged or tidal flow applications a larger tilt angle is recommended to ensure complete seating of the disc.

ITEM	DESCRIPTION	MATERIAL
1	FRAME	HDPE
2	FLAP	HDPE
3	HINGE BOLT	SS304
4	SEAT	EPDM
		BUNA-N NBR
		VITON
5	EYE BOLT	SS304

TECHNICAL SPECIFICATIONS

1	STATIC HEAD	1 m
2	WORKING HEAD	5 m

Drawing Name:
78" HDPE FLAP VALVE
MATERIAL LIST & DIMENSIONS

Drawing Number:
78HDPE-00-00

Date: 2/20/2019

Revision Number: 0



USA WWG