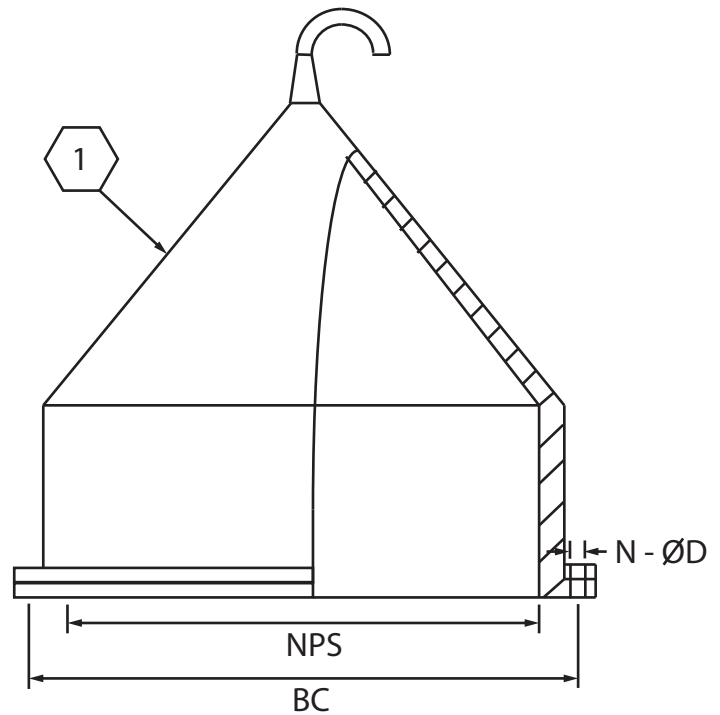
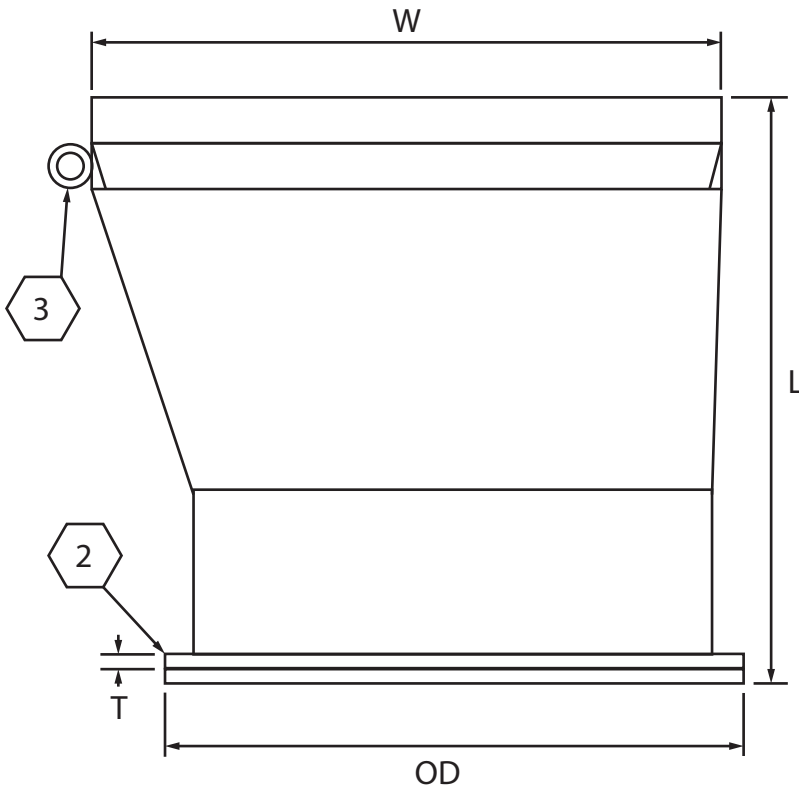


NPS	L	W	OD	BC	N - ØD	T
60"	74.80	81.10	73.03	69.25	52 - 1.89	1.18



ITEM	DESCRIPTION	MATERIAL
1	BODY	EPDM
		BUNA-N NBR
		VITON
2	RETAINER RING	SS 316
		GALVANIZED
3	LIFTING EYE	SS 316
		GALVANIZED

NOTE: DO NOT SCALE DRAWING

Drawing Name:
60" FLANGED FLAT BOTTOM
DUCK BILL CHECK VALVE
MATERIAL LIST & DIMENSIONS

Drawing Number:
60FFBDBC-00-00

Date: 02/27/2020

Revision Number: 0



USA WWG