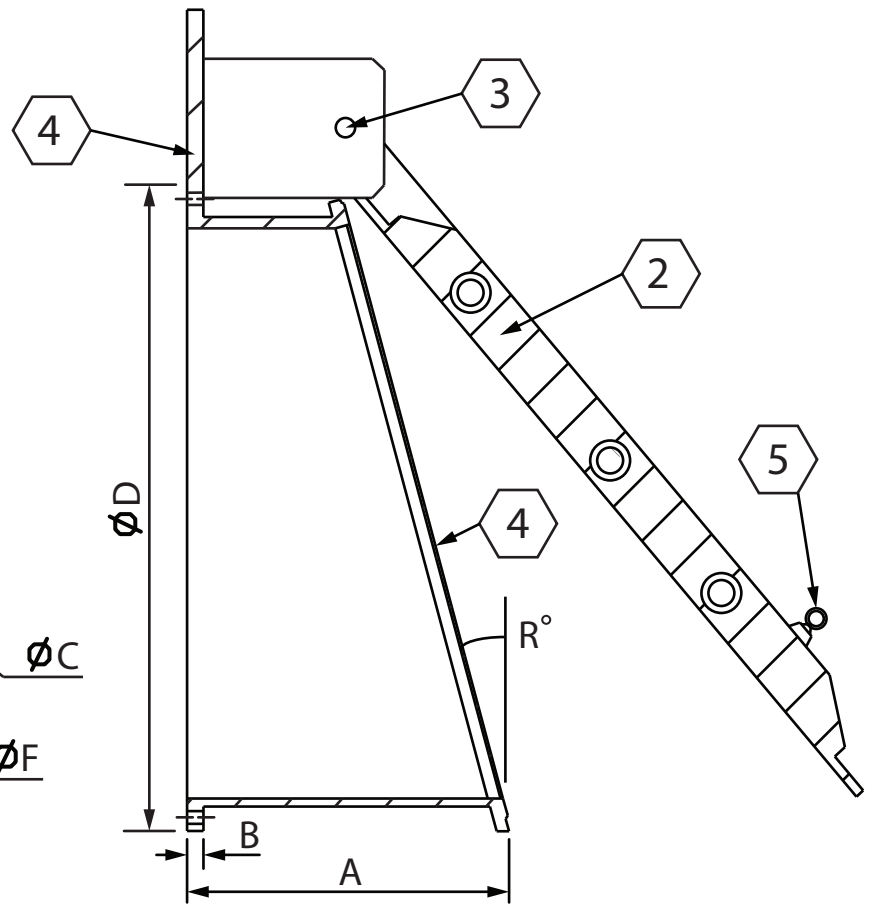


DO NOT SCALE DRAWING



NPS	A	B	ØC	ØD	E-ØF	R°
48"	21.28	1.18	56.0	59.5	44 - 1.63	**10°

\*\* Tilt angles ranging from 5° to 15° available upon request. For open air applications 5° tilt angle is standard for minimized cost, space and pressure head. For fully submerged or tidal flow applications a larger tilt angle is recommended to ensure complete seating of the disc.

ITEM	DESCRIPTION	MATERIAL
1	FRAME	HDPE
2	FLAP	HDPE
3	HINGE BOLT	SS304
4	SEAT	EPDM
		BUNA-N NBR
		VITON
		BRONZE
5	EYE BOLT	SS304

#### TECHNICAL SPECIFICATIONS

1	DESIGN	EN1074
2	MAX. WORKING PRESSURE	125 psi
3	FLANGE	ANSI Class 125
4	WORKING FLUID	WATER
5	TESTING	EN12266

Drawing Name:  
48" HDPE FLAP VALVE  
MATERIAL LIST & DIMENSIONS

Drawing Number:  
48HDPE-125-00

Date: 2/20/2019

Revision Number: 0



**USA WWG**