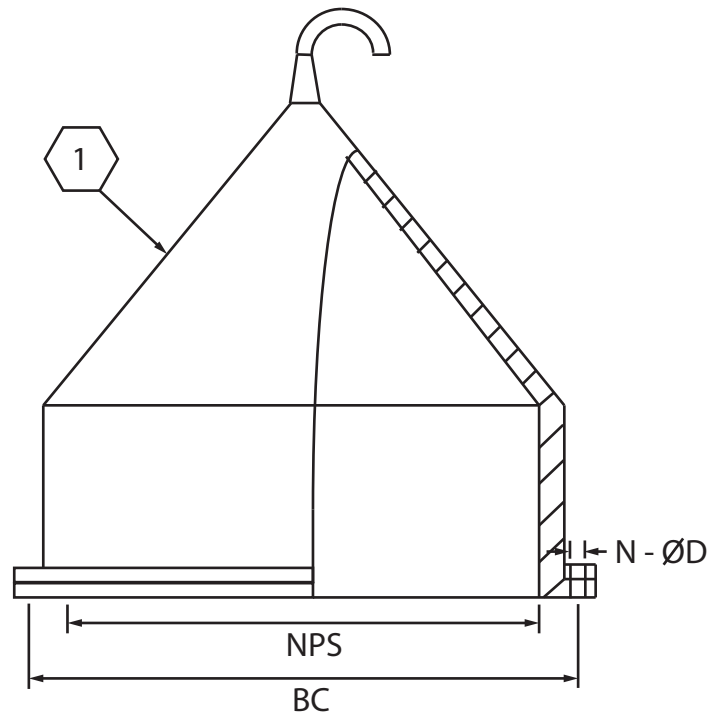
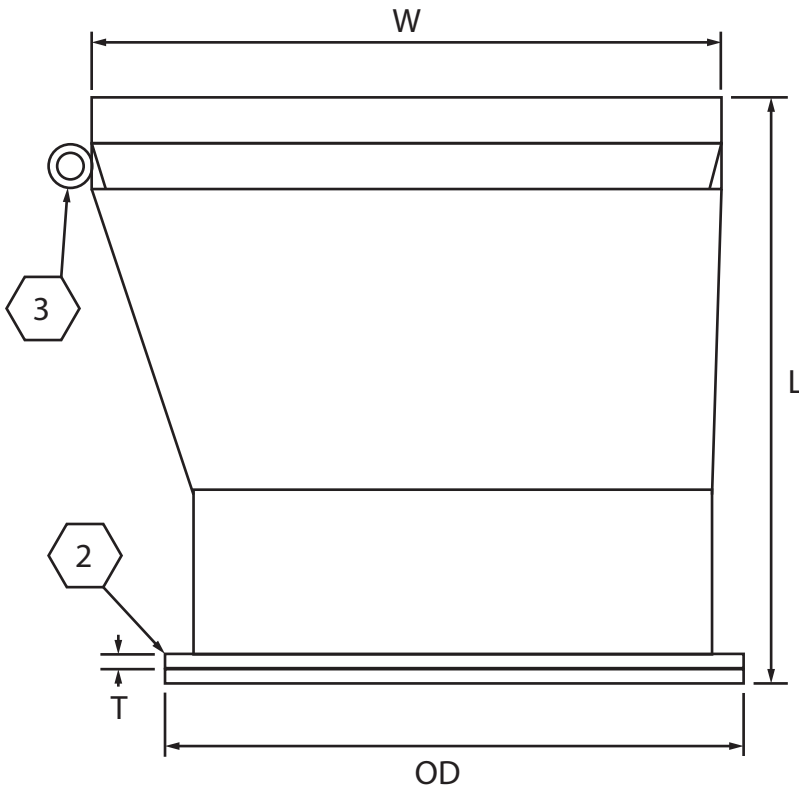


NPS	L	W	OD	BC	N - ØD	T
48"	51.19	61.42	59.45	56.00	44 - 1.62	1.18



ITEM	DESCRIPTION	MATERIAL
1	BODY	EPDM
		BUNA-N NBR
		VITON
2	RETAINER RING	SS 316
		GALVANIZED
3	LIFTING EYE	SS 316
		GALVANIZED

NOTE: DO NOT SCALE DRAWING

Drawing Name:
48" FLANGED FLAT BOTTOM
DUCK BILL CHECK VALVE
MATERIAL LIST & DIMENSIONS

Drawing Number:
48FFBDBCVCV-00-00

Date: 02/27/2020

Revision Number: 0



USA WWG