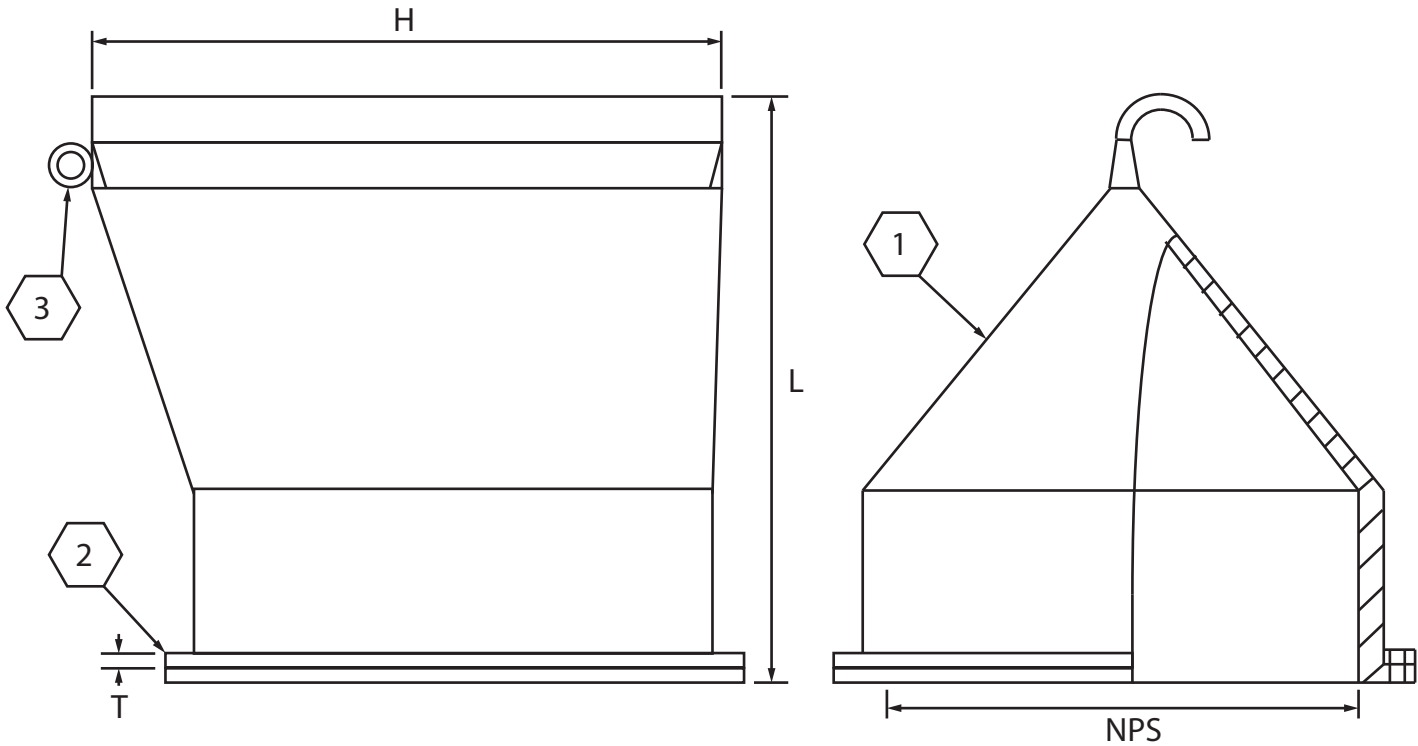


NPS	L	H	T	NPS	L	H	T
4"	6.30	5.91	0.71	28"	37.40	37.80	0.99
5"	8.66	7.09	0.71	30"	39.37	40.95	0.99
6"	12.20	8.27	0.71	32"	45.28	41.34	0.99
8"	12.60	13.39	0.71	36"	45.28	41.34	0.99
9"	13.00	13.78	0.71	40"	45.28	50.40	1.18
10"	19.30	13.78	0.79	44"	49.21	53.15	1.18
12"	23.63	16.93	0.79	48"	51.19	61.42	1.18
14"	30.71	18.90	0.79	52"	51.19	61.42	1.18
16"	30.71	18.90	0.79	56"	47.25	61.42	1.18
18"	28.35	23.63	0.79	60"	74.80	81.10	1.18
20"	34.25	30.71	0.79	64"	77.96	91.74	1.18
24"	32.29	31.10	0.99	68"	83.86	91.34	1.18
26"	37.40	37.80	0.99	72"	88.58	92.52	1.18



NOTE: DO NOT SCALE DRAWING

ITEM	DESCRIPTION	MATERIAL
1	BODY	EPDM
2	RETAINER RING	SS 304
3	LIFTING EYE	SS 304

Drawing Name:
4" - 72" FLANGED FLAT BOTTOM
DUCK BILL CHECK VALVE
MATERIAL LIST & DIMENSIONS

Drawing Number:
4-72FFBDBC-00-00

Date: 02/27/2020

Revision Number: 0



USA WWG