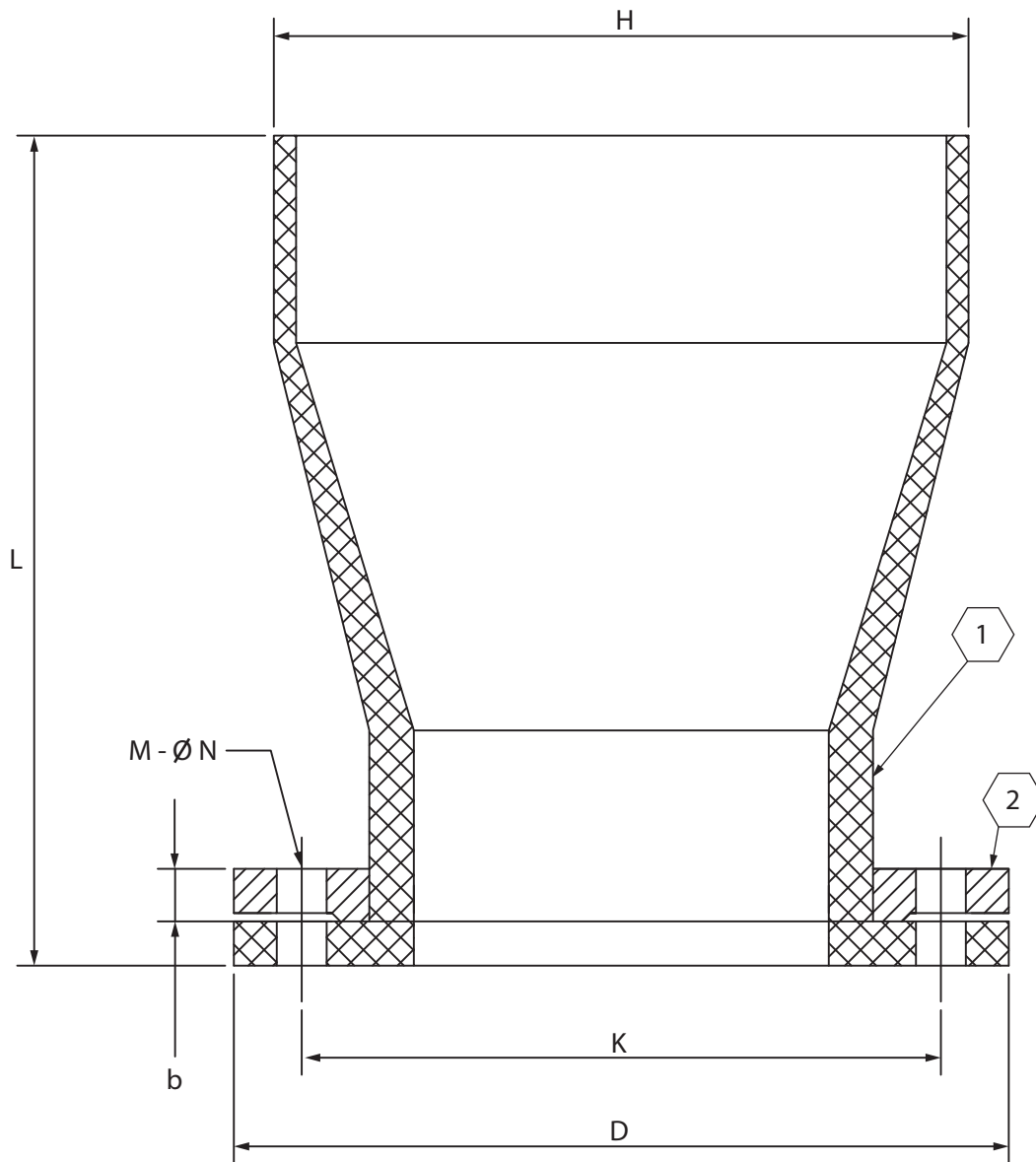


NPS	DN	L	H	D	K	b	M - Ø N
20"	50	27.56	27.56	27.50	25.00	1.00	20 - 1.25
30"	65	33.46	48.82	38.75	36.00	1.57	28 - 1.38



ITEM	DESCRIPTION	MATERIAL
1	BODY	EPDM
2	RETAINER RING	SS 316
		CARBON STEEL

Drawing Name:
20" - 30" FLANGED
DUCK BILL CHECK VALVE
MATERIAL LIST & DIMENSIONS

Drawing Number:
20-30DBCv-00-00

Date: 7/20/2019

Revision Number: 0



USA WWG