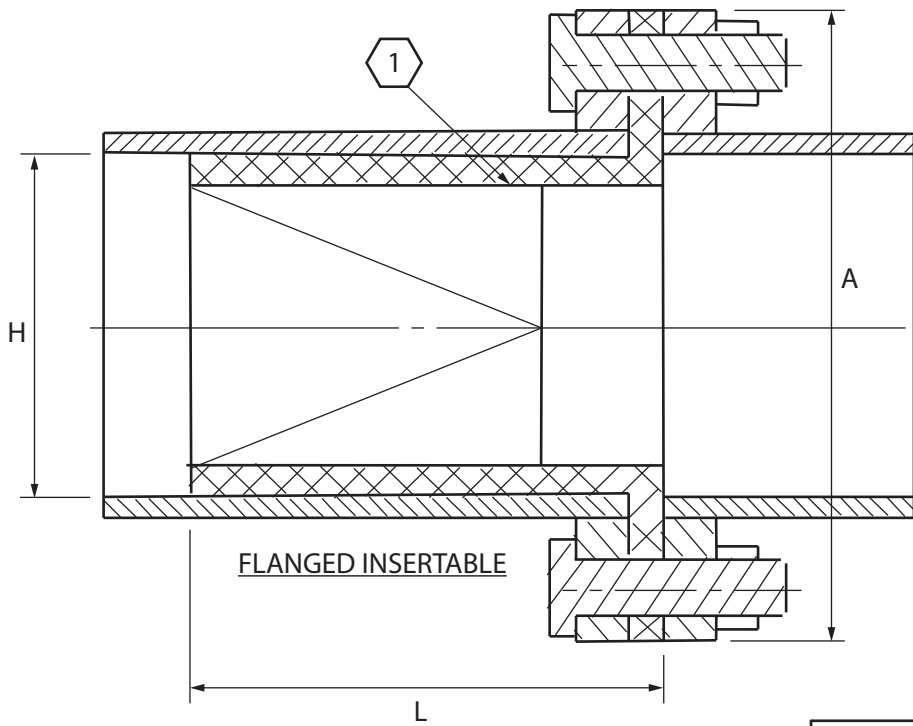


EXPANSION RING INSERTABLE



FLANGED INSERTABLE

NPS	DN	L	H	A
2"	50	4.92	1.85	5.90
3"	80	6.89	2.84	7.88
4"	100	8.86	3.82	8.86
6"	150	12.60	5.79	10.83
8"	200	14.76	7.76	13.31
10"	250	18.70	9.73	15.75
12"	300	22.04	11.69	19.10
14"	350	24.61	13.54	20.67
16"	400	27.56	15.51	23.15
18"	450	30.71	17.48	24.61
20"	500	34.65	19.45	27.09
24"	600	39.37	23.39	31.50
28"	700	43.31	27.33	38.15
32"	800	49.61	31.26	42.52
36"	900	55.12	35.20	45.28
40"	1000	59.84	38.90	49.21
48"	1200	67.92	46.77	58.47

ITEM	DESCRIPTION	MATERIAL
1	BODY	EPDM
		BUNA-N NBR
		VITON
2	EXPANDABLE RING + HARDWARE	SS 316

Drawing Name:
 2" - 48" INSERTABLE
 DUCK BILL CHECK VALVE
 MATERIAL LIST & DIMENSIONS

Drawing Number:
 2-48IDBCV-00-00

Date: 7/20/2019

Revision Number: 0



USA WWG