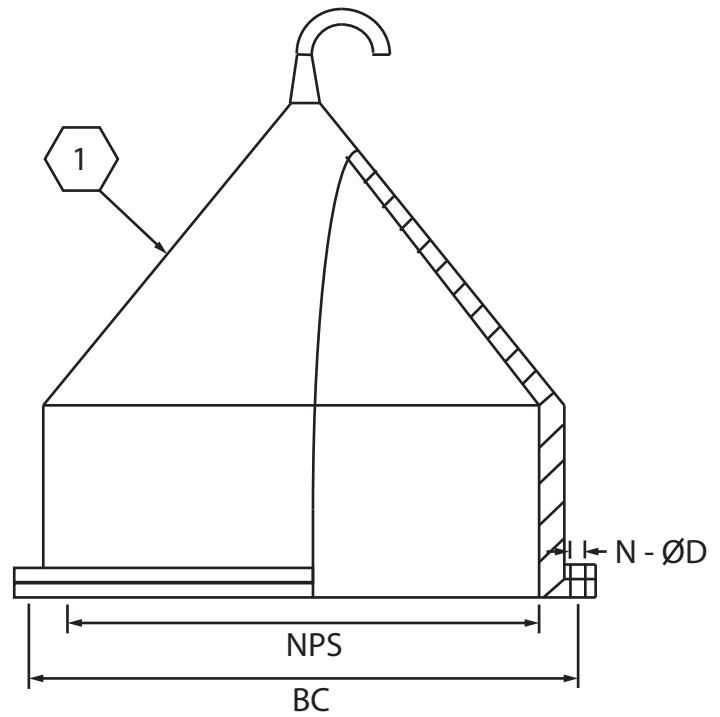
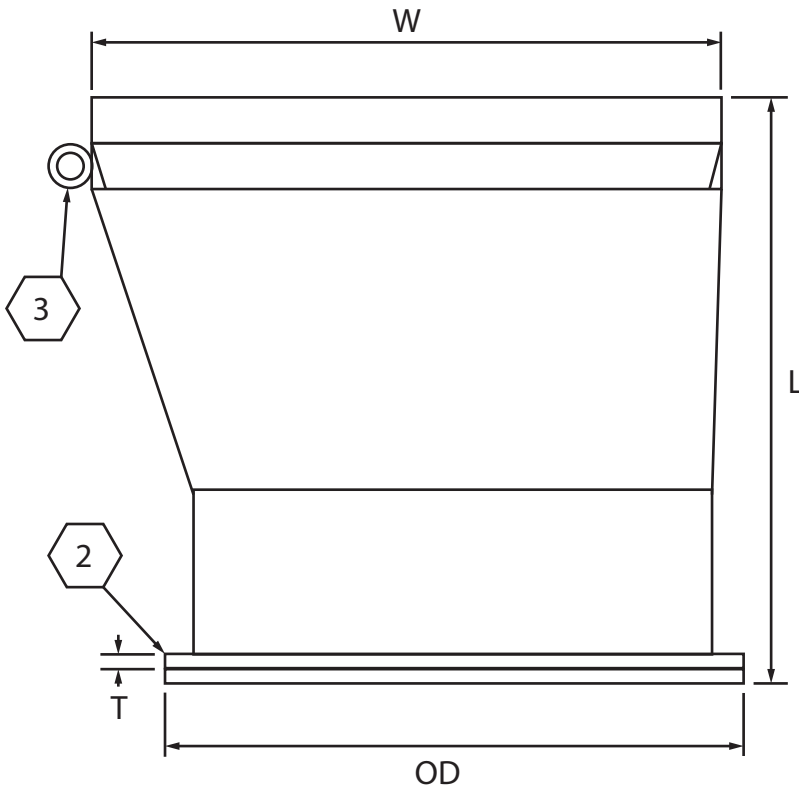


NPS	L	W	OD	BC	N - ØD	T
18"	28.35	26.77	25.00	22.76	16 - 1.30	0.79



ITEM	DESCRIPTION	MATERIAL
1	BODY	EPDM
		BUNA-N NBR
		VITON
2	RETAINER RING	SS 316
		GALVANIZED
3	LIFTING EYE	SS 316
		GALVANIZED

NOTE: DO NOT SCALE DRAWING

**Drawing Name:**  
18" FLANGED FLAT BOTTOM  
DUCK BILL CHECK VALVE  
MATERIAL LIST & DIMENSIONS

**Drawing Number:**  
18FFBDBC-00-00

**Date:** 02/27/2020

**Revision Number:** 0



**USA WWG**